

Supercored 71MAG

FLUX CORED ARC WELDING CONSUMABLE
FOR WELDING OF MILD & 490MPa
CLASS HIGH TENSILE STEEL

2022.02

HYUNDAI WELDING CO., LTD.



Supercored 71MAG

❖ Specification

AWS A5.20 E71T-1M,-9M

(AWS A5.20M) E491T-1M,-9M)

EN ISO 17632-A T46 3 P M21 1

AWS D1.8

Wire Dia. mm(in)		
1.2(0.045)	1.4(0.052)	1.6(1/16)

* AWS D1.8 is available upon request

❖ Applications

Supercored 71MAG can be used on mild and high tensile steel in single and multi-pass applications. Shipbuilding, machinery, bridge, structural fabrication and building.

❖ Characteristics on Usage

Supercored71MAG is a rutile-type flux cored wire to be used with Ar+CO₂ gas. Provide an exceptionally smooth and stable arc with a fast freezing slag system, this wire is ideal for welding flat, vertical up, vertical down. Bead shape and appearance are excellent in all position welding.

❖ Note on Usage

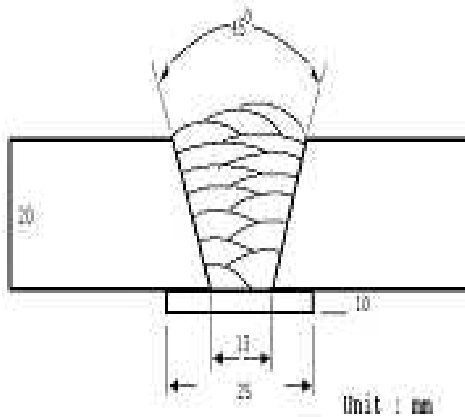
1. For preheating guidelines, please refer to your local standards and codes relative to your best practices
2. Use Ar-20~25% CO₂ gas.



Mechanical Properties & Chemical Composition of All Weld Metal

❖ Welding Conditions

Method by AWS Spec.



[Joint Preparation & Layer Details]

Welding Position	: 1G(PA)
Diameter	: 1.2mm (0.045in)
Shielding Gas	: Ar-20%CO ₂
Flow Rate	: 20 ℓ /min
Amp / Volt	: 270~280A / 29~30V
Stick-Out	: 20~25mm (0.79~0.98in)
Pre-Heat	: R.T .
Interpass Temp.	: 150±15℃ (302±59°F)
Polarity	: DC(+)

❖ Mechanical Properties of all weld metal

Consumable	Tensile Test			CVN Impact Test J(ft · lbs)
	YS MPa (lbs/in ²)	TS MPa (lbs/in ²)	EL (%)	-29℃ (-20°F)
Supercored 71MAG	580(84,000)	600(87,000)	28.0	60(44)
AWS A5.20 E71T-1M,-9M	≥ 390 (56,000)	490~670 (70,000~97,000)	≥ 22	≥ 27J at -29℃ (≥ 20ft · lbs at -20°F)

❖ Chemical Analysis of all weld metal(wt%)

Consumable	C	Si	Mn	P	S
Supercored 71MAG	0.04	0.54	1.25	0.011	0.012
AWS A5.20 E71T-1M,-9M	≤ 0.12	≤ 0.9	≤ 1.75	≤ 0.03	≤ 0.03

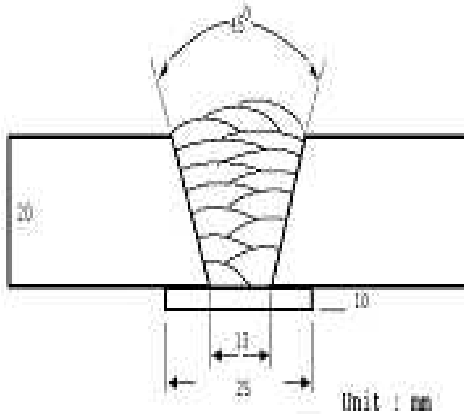
This information is provided solely for the purpose of confirming product conformance with applicable standards. The serviceability of a product or structure utilizing this type of information is and must be the sole responsibility of the builder/user. Many variables beyond the control of HYUNDAI WELDING CO., LTD. affect the results obtained in applying this type of information. These variables include, but are not limited to, welding procedure, shielding gas, plate chemistry and temperature, weldment design, fabrication methods and service requirements.



Mechanical Properties & Chemical Composition of All Weld Metal

❖ Welding Conditions

Method by AWS Spec.



[Joint Preparation & Layer Details]

Welding Position	: 1G(PA)
Diameter	: 1.4mm (0.052in)
Shielding Gas	: Ar-20%CO ₂
Flow Rate	: 20 ℓ /min
Amp / Volt	: 290~300A / 29~30V
Stick-Out	: 20~25mm (0.79~0.98in)
Pre-Heat	: R.T .
Interpass Temp.	: 150±15℃ (302±59°F)
Polarity	: DC(+)

❖ Mechanical Properties of all weld metal

Consumable	Tensile Test			CVN Impact Test J(ft · lbs)
	YS MPa (lbs/in ²)	TS MPa (lbs/in ²)	EL (%)	-29℃ (-20°F)
Supercored 71MAG	585(85,000)	605(88,000)	27.0	65(48)
AWS A5.20 E71T-1M,-9M	≥ 390 (56,000)	490~670 (70,000~97,000)	≥ 22	≥ 27J at -29℃ (≥ 20ft · lbs at -20°F)

❖ Chemical Analysis of all weld metal(wt%)

Consumable	C	Si	Mn	P	S
Supercored 71MAG	0.05	0.55	1.20	0.010	0.011
AWS A5.20 E71T-1M,-9M	≤ 0.12	≤ 0.9	≤ 1.75	≤ 0.03	≤ 0.03

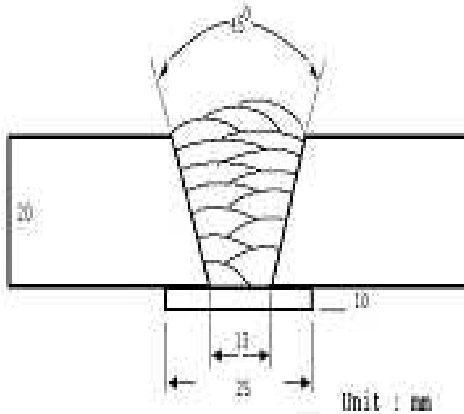
This information is provided solely for the purpose of confirming product conformance with applicable standards. The serviceability of a product or structure utilizing this type of information is and must be the sole responsibility of the builder/user. Many variables beyond the control of HYUNDAI WELDING CO., LTD. affect the results obtained in applying this type of information. These variables include, but are not limited to, welding procedure, shielding gas, plate chemistry and temperature, weldment design, fabrication methods and service requirements.



Mechanical Properties & Chemical Composition of All Weld Metal

❖ Welding Conditions

Method by AWS Spec.



[Joint Preparation & Layer Details]

Welding Position	: 1G(PA)
Diameter	: 1.6mm (1/16in)
Shielding Gas	: Ar-20%CO ₂
Flow Rate	: 20 ℓ /min
Amp / Volt	: 320~330A / 29~30V
Stick-Out	: 20~25mm (0.79~0.98in)
Pre-Heat	: R.T .
Interpass Temp.	: 150±15℃ (302±59°F)
Polarity	: DC(+)

❖ Mechanical Properties of all weld metal

Consumable	Tensile Test			CVN Impact Test J(ft · lbs)
	YS MPa (lbs/in ²)	TS MPa (lbs/in ²)	EL (%)	-29℃ (-20°F)
Supercored 71MAG	575(83,000)	595(86,000)	27.5	65(48)
AWS A5.20 E71T-1M,-9M	≥ 390 (56,000)	490~670 (70,000~97,000)	≥ 22	≥ 27J at -29℃ (≥ 20ft · lbs at -20°F)

❖ Chemical Analysis of all weld metal(wt%)

Consumable	C	Si	Mn	P	S
Supercored 71MAG	0.04	0.50	1.20	0.011	0.012
AWS A5.20 E71T-1M,-9M	≤ 0.12	≤ 0.9	≤ 1.75	≤ 0.03	≤ 0.03

This information is provided solely for the purpose of confirming product conformance with applicable standards. The serviceability of a product or structure utilizing this type of information is and must be the sole responsibility of the builder/user. Many variables beyond the control of HYUNDAI WELDING CO., LTD. affect the results obtained in applying this type of information. These variables include, but are not limited to, welding procedure, shielding gas, plate chemistry and temperature, weldment design, fabrication methods and service requirements.



Welding Efficiency

❖ Deposition Rate & Efficiency

Consumable (size)	Welding Conditions		Wire Feed Speed m/min (in/min)	Deposition Efficiency %	Deposition Rate kg/hr(lb/hr)
	Amp.(A)	Volt.(V)			
1.2 mm (0.045in)	200	26	10.2 (400)	87~89	3.1 (6.8)
	250	28	11.5 (450)	88~89	4.3 (9.5)
	300	32	15.3 (600)	88~90	5.8 (12.8)
1.4 mm (0.052in)	250	28	7.6 (300)	85~87	3.6 (7.9)
	300	32	10.2 (400)	86~88	4.7 (10.3)
	330	36	12.8 (500)	87~89	6.3 (13.9)
1.6 mm (1/16in)	280	31	6.4 (250)	86~88	4.0 (8.8)
	330	33	7.6 (300)	86~89	4.6 (10.1)
	350	34	8.1 (320)	87~89	5.6 (12.3)
	400	38	9.2 (360)	88~90	6.5 (14.3)
Remark				Deposition efficiency =(Deposited metal weight / Wire weight used)×100	Deposition rate =(Deposited metal weight / Welding time,min.)×60

* Shielding Gas : Ar-20% CO₂



Diffusible Hydrogen Content

❖ Welding Conditions

Diameter	: 1.2mm (0.045in)	Amps / Volts	: 230A / 25V
Shielding Gas	: Ar-20%CO ₂	Stick-Out	: 20~25mm (0.79~0.98in)
Flow Rate	: 20 l /min	Welding Speed	: 30 cm/min (12 in/min)
Welding Position	: 1G (PA)	Current Type & Polarity	: DC(+)

❖ Hydrogen Analysis Using Gas Chromatography Method

Hydrogen Evolution Time	: 72 hrs
Evolution Temp.	: 45 °C (113°F)
Barometric Pressure	: 780 mm-Hg

❖ Result(ml/100g Weld Metal)

x1	x2	x3	X4
5.8	6.0	5.7	5.9

Average Hydrogen Content 5.9 ml / 100g Weld Metal



Supercored 71MAG

❖ Proper Current Range

Consumable	Shielding Gas	Welding Position	Wire Dia.		
			1.2mm (0.045in)	1.4mm (0.052in)	1.6mm (1/16in)
Supercored 71MAG	Ar +20%CO ₂	Flat	120~300 Amp	150~350 Amp	150~360 Amp
		V-up Over head	120~260 Amp	140~270 Amp	160~320 Amp
		V-down	140~300 Amp	150~320 Amp	150~360 Amp

❖ AUTHORIZED APPROVAL DETAILS

Welding position	Register of shipping & Size(mm)			
	ABS	LR	BV	DNV
All V-down	3SAH10, 3YSA 1.2~1.6 (0.045~1/16in)	3S,3YSH10 1.2~1.6 (0.045~1/16in)	SA3M,SA3YMHH 1.2~1.6 (0.045~1/16in)	IIIYMSH10 1.2~1.6 (0.045~1/16in)

❖ F No & A No

F No	A No
6	1

This information is provided solely for the purpose of confirming product conformance with applicable standards. The serviceability of a product or structure utilizing this type of information is and must be the sole responsibility of the builder/user. Many variables beyond the control of HYUNDAI WELDING CO., LTD. affect the results obtained in applying this type of information. These variables include, but are not limited to, welding procedure, shielding gas, plate chemistry and temperature, weldment design, fabrication methods and service requirements.